



→ Airpolishing with COMBI TOUCH Things to know

For complete information please consult combi touch manual of use and maintenance

→ POLISHING POWDERS

THINGS TO KNOW

Shake the bottle before filling the device with the powder.

Store in cool, dry place, in closed containers, far from acids and any heat sources.

The optimum temperature and moisture conditions for storage are:

Temperature: $-10^{\circ}\text{C} \div 35^{\circ}\text{C}$ / $14^{\circ}\text{F} \div 95^{\circ}\text{F}$

Relative humidity: $10\% \div 70\%$

Do not use the product after the expiry date indicated on the bottle label.

ALWAYS remove remains of powders from the device powder containers, at least at the end of the working day.

ALWAYS keep the powder bottles closed.

→ AIR POLISHER

THINGS TO KNOW DURING USE

- ⓘ Patients wearing contact lenses should remove them prior to receiving treatment with air polisher devices.
- ⓘ Patients that are on a low sodium diet or who suffer from serious respiratory problems, such as chronic bronchitis, asthma, emphysema, etc. must not undergo the prophylaxis treatment, until they have consulted with their doctor
- ⓘ Do not direct the stream of air/powder/ water in towards eyes. Failure to observe this requirement can cause serious eye damage. It is advisable for everyone involved (patient, dentist and dental personnel) to wear protective goggles

→ AIR POLISHER

THINGS TO KNOW DURING USE

- ⓘ Do not direct the stream of air/powder/ water onto composites, fillings or bridges. Failure to observe this requirement may cause them to be damaged
- ⓘ Do not aim the jet of air/powder/ water onto soft tissues or inside the gingival sulcus. Failure to comply with this direction can cause gingival tissue emphysema (emphysema of the mucosa and/or subcutaneous). For this kind of treatments, use only fine granulometry powders and PERIO selection.
- ⓘ Dentists and other dental personnel are advised to use protective masks in order to limit inhalation of the powder.
- ⓘ Protect the patient's lips with vaseline during the treatment.

→ AIR POLISHER

WHAT IF I USE THE WRONG POWDER SELECTION?

I'm using smaller granulometry powder and I set the unit on PROPHY:

- No harm for the patient if used on teeth
- No damage on the unit
- Finer powder with more pressure only results in a higher consumption of powder compared to the use on PERIO selection.



WARNING:

- Be careful not to treat the patient on periodontal pockets with the PROPHY selection as the higher pressure on that delicate areas can harm the patient!

→ AIR POLISHER

WHAT IF I USE THE WRONG POWDER SELECTION?

I'm using bigger granulometry powder and I set the unit on PERIO:

- No harm for the patient if used on teeth
- No damage for the unit, possibility that the PERIO spray head gets clogged
- Bigger grains with less pressure only results in less efficiency during the treatment



WARNING:

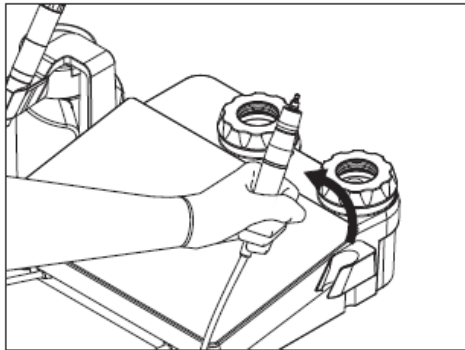
- Be careful not to use bigger granulometry powder inside the periodontal pockets, even with the PERIO spray head and the subgingival tips, as this can harm the patient!

→ COMBI TOUCH

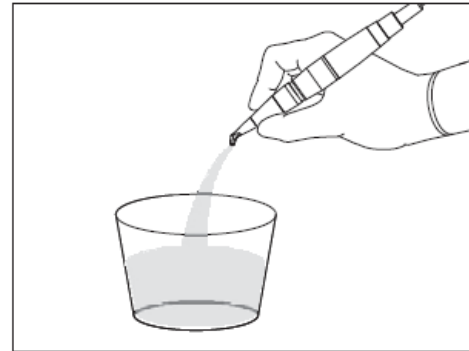
REGULAR MAINTENANCE - FLUSH

At the end of the day and before the cleaning and sterilization process!

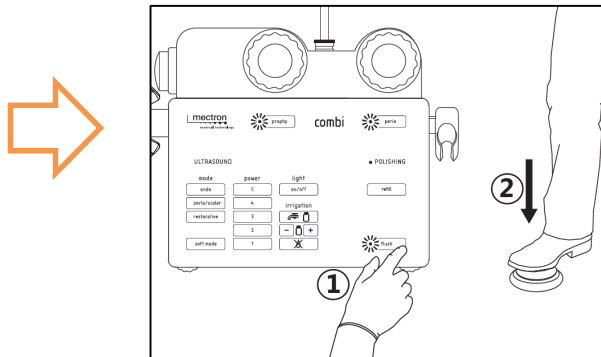
Lift the polisher handpiece:



Position the handpiece on a container during the flush cycle:



Both containers inserted.
Press FLUSH, press foot pedal:

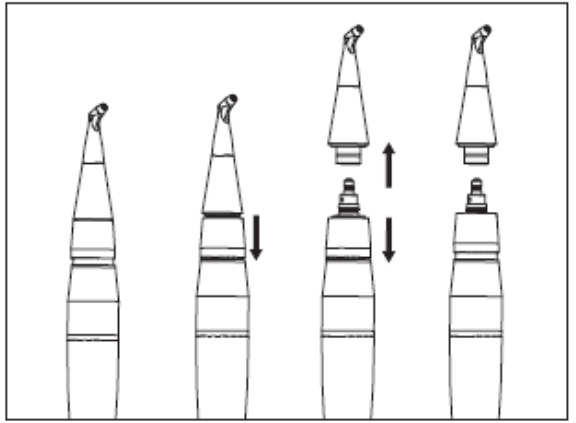
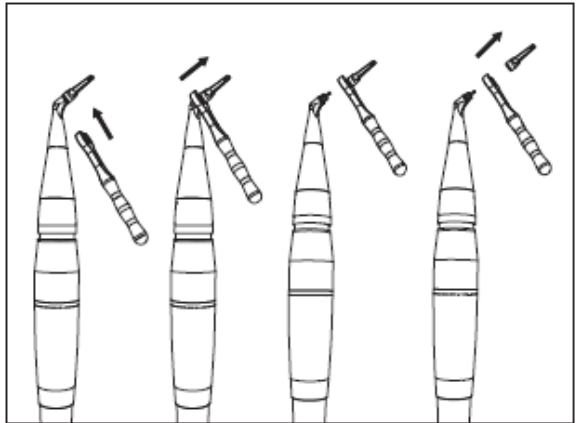
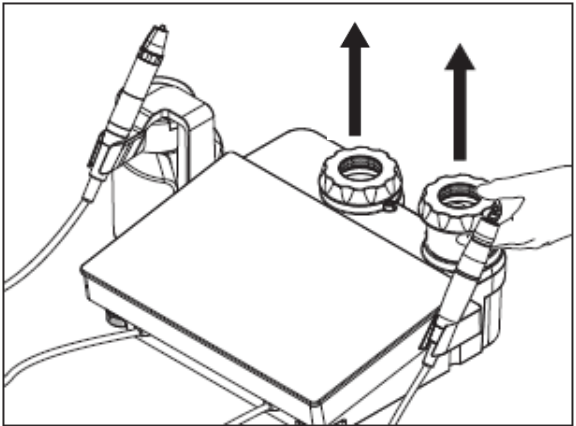
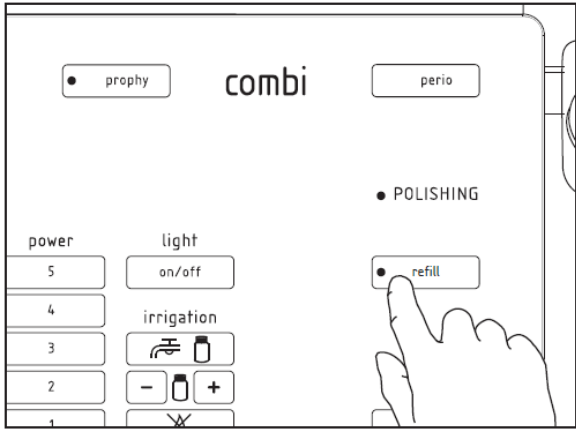


PLEASE NOTE:
The FLUSH cycle is performed contemporary on both powder containers.
The FLUSH cycle works even if some powder is left inside the containers.
The FLUSH cycle takes about 40 seconds.

→ COMBI TOUCH

REGULAR MAINTENANCE

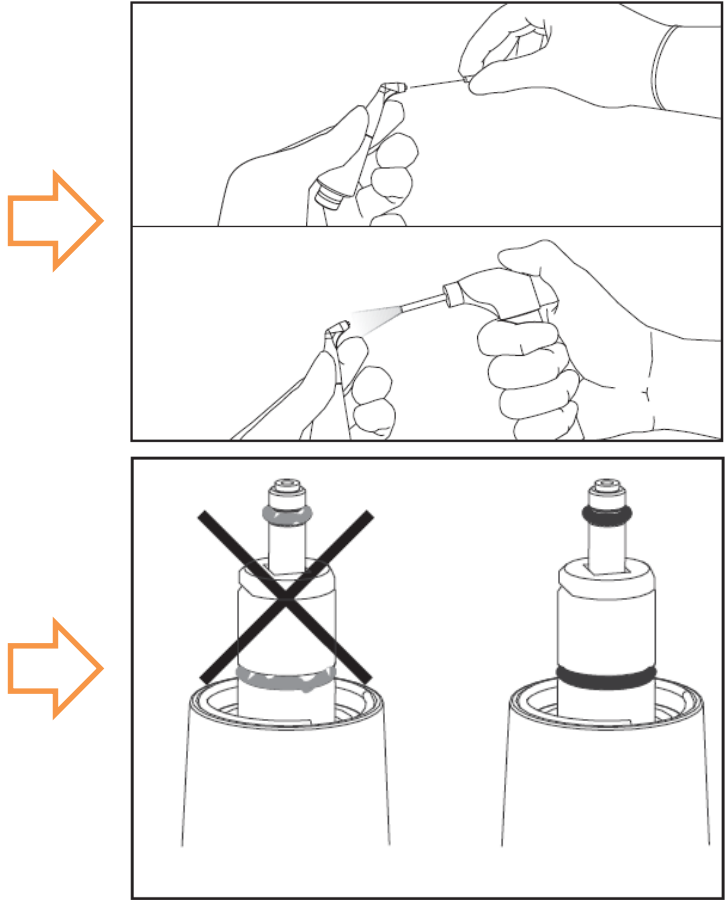
After each treatment and before the cleaning and sterilization process!



→ COMBI TOUCH

REGULAR MAINTENANCE

After each treatment and before the cleaning and sterilization process!



Switch on the device for a few seconds and use the needles included in the supply to free the channel from any residues of powder.

Spray compressed air on both sides of the spray head to remove any residues of powder.

Periodically check o-rings' conditions on the handpiece quick connection.

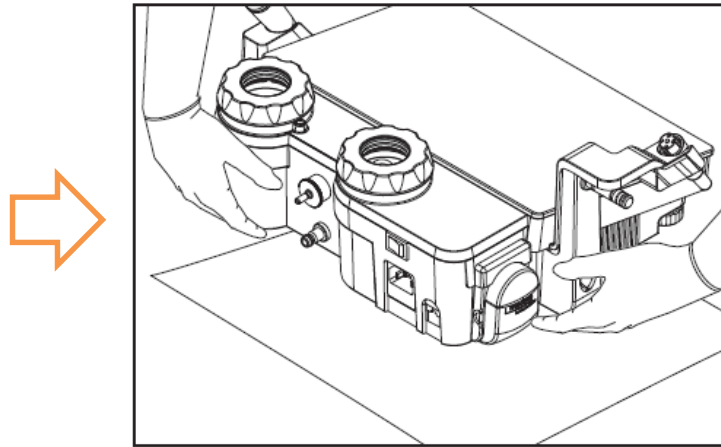
O-rings must always be in good conditions without the presence of residues of powder or cuts.

Exclusively use Mectron original accessories and spare parts.

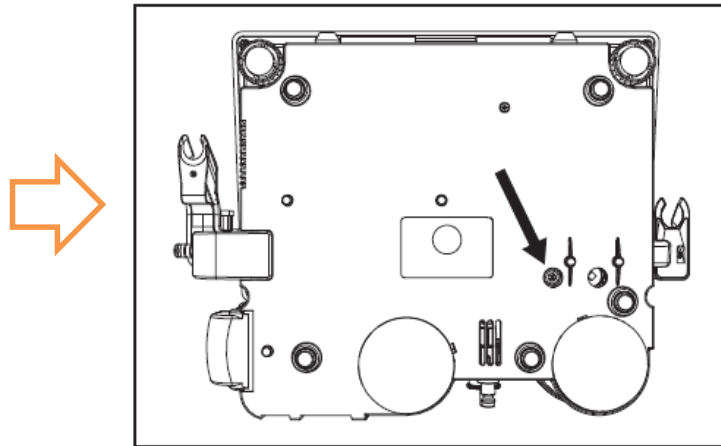
→ COMBI TOUCH

REGULAR MAINTENANCE

Once a week



Position and absorbent cloth underneath the device to collect the condensate.
Turn the unit ON with air connected



Press the air filter valve on the bottom of the device, you hear the air coming out.
In case any drops of water are coming out check the compressed air system.

→ COMBI TOUCH

AVOID CLOGGING

PERIO CONTAINER: introduce **only** powder with a granulometry smaller than 35 micron.

PROPHY CONTAINER: introduce **only** powder with a granulometry bigger than 35 micron.

Minimum level: The level of powder in the container must not be lower than one centimeter to prevent cleaning performance from dropping.

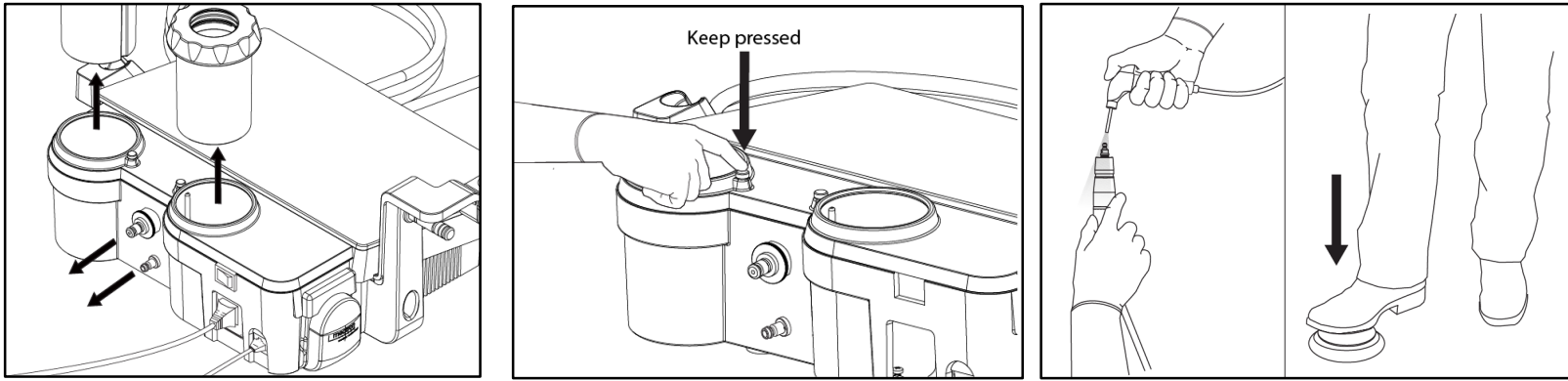
Maximum level: The level of the powder in the container must remain below the diffuser (at least 5 mm) to prevent any clogging.

Make sure that the powder container, the polisher handpiece and the spray head connections are **perfectly dry**. The presence of moisture could cause clogging of the channels.

It is advisable to **empty** the powder containers **at least once a day**.

→ COMBI TOUCH

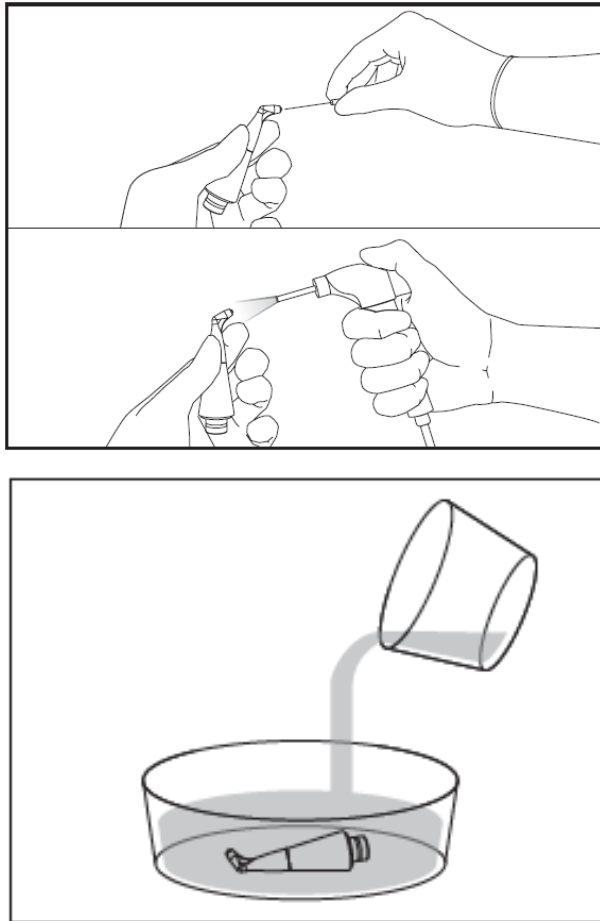
HOW TO REMOVE CLOGGING - DEVICE



- 1-Disconnect air and water connection.
- 2-Remove the powder containers.
- 3-Remove the spray head on the polisher handpiece
- 4-Turn combi touch ON.
- 5-Press down manually the bottle cap bottom on the unit, and keep it down (simulating the bottle cap in place).
- 6-Position the compressed air gun in front of the handpiece (without spray head).
- 7-Press the foot pedal.
- 8-Spray compressed air inside the handpiece.
In case any clot is in the air line it will come out in the bottle container.
- 9- REPEAT WITH THE OTHER CHANNEL

→ COMBI TOUCH

HOW TO REMOVE CLOGGING – SPRAY HEAD



Switch on the device for a few seconds and use the needles included in the supply to free the channel from any residues of powder.

Whenever the spray head is removed, it is necessary to blow compressed air with the syringe into the rear central hole of the spray head, so as to avoid the accumulation of residues of powder.

If the spray head gets clogged due to the excessively hard water, it is recommended to dip it in a 2 % solution of acetic acid for a few minutes.

→ COMBI TOUCH

TROUBLESHOOTING

The cap of the powder container cannot be unscrewed

Possible cause

The device is on and the powder container is pressurized.

Solution

Click on "REFILL" before opening the bottle cap.

Possible cause

The spray head is clogged and the REFILL cycle cannot be completed.

Solution

Remove the spray head and now click on "REFILL".

Possible cause

The air line is clogged and the REFILL cycle cannot be completed even without the spray head.

Solution

See "How to remove clogging – DEVICE". If not successful contact a repair centre

→ COMBI TOUCH

TROUBLESHOOTING

Leakage of powder from the cap of the container

Possible cause

Cap not correctly screwed in place

Solution

Screw the cap correctly on

Possible cause

Residues of powder in the thread

Solution

Blow compressed air on the thread of the powder container and on the thread of the cap

→ COMBI TOUCH

TROUBLESHOOTING

No powder comes out of the spray head during operation

Possible cause

Combi touch not correctly connected to the air circuit

Solution

Check the connection between the combi touch and the air circuit

Possible cause

The powder bottle in use is empty

Solution

Fill in the bottle chamber respecting the max. quantity

Possible cause

Too much powder in the bottle

Solution

Restore the correct level of powder in the bottle

Possible cause

Air channels not completely free, or clogged

Solution

See recommendations to avoid and to free cloggings

→ COMBI TOUCH

TROUBLESHOOTING

No water comes out of spray head during operation

Possible cause

Combi touch not correctly connected to the water circuit

Solution

Check the connection between combi touch and the water circuit

Possible cause

Water too hard and clogged spray head

Solution

Dip the spray head it in a 2 % solution of acetic acid for a few minutes

Possible cause

Water filter is clogged

Solution

Clean the water filtre between combi touch and water tube connector

→ COMBI TOUCH

TROUBLESHOOTING

Ineffective treatment

Possible cause

Insufficient pressure of the air-supply circuit

Solution

Check the pressure in the air circuit

Possible cause

Level of powder inside the container too low or too high

Solution

Restore the correct level of the powder in the container

Possible cause

Spray head clogged by too much moisture in the powder or by insufficient cleaning/maintenance

Solution

Remove the powder from the container and clean it with a dry cloth.

See recommendation on how to free the spray head

Possible cause

Wrong powder in the container in use

Solution

Check that the powder is the correct one for the chosen treatment.